

DURABLE STEEL END MOUNTS
High quality welds to withstand continuous high loads.

SEALS
Top Quality Seals

PISTON
Ductile iron precision machined providing a malleable bearing surface for extended cylinder life.

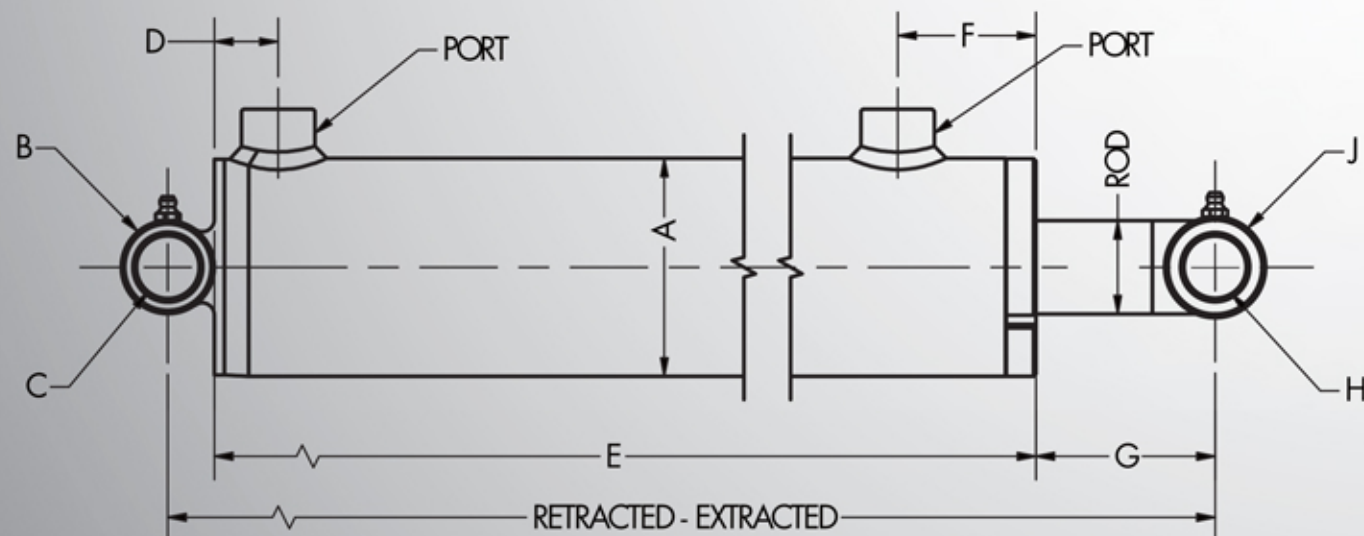
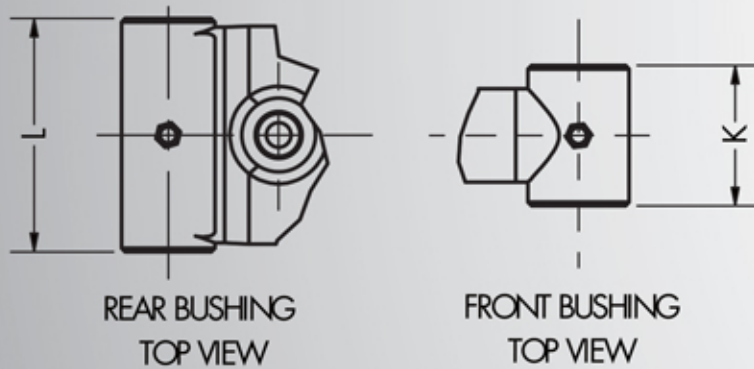
DB
CROSSTUBE WELDED CYLINDER

PORTS
Top Port Configuration. ORB for positive sealing.

THREADED GLAND
Offering increased bearing surface for high shock and side load applications.

TUBE
Precision finished skived and burnished or honed heavy wall steel tubing for extended seal and cylinder life.

ROD
High tensile steel. Hard chrome plated (0.001" Th.) shaft provides extended cylinder life in harsh applications. Final surface hardness 69-71 Rockwell C. ASTM B117-07a salt spray testing 96 hours.



DB DIMENSIONAL CHART

PART NUMBER	BORE	ROD	A	B,J	PIN SIZE C,H	D	F	G	K	L
DB15-	1.50"	1.00"	1.875"	1.250"	0.750"	0.875"	2.200"	2.70"	2.00"	2.25"
DB20-	2.00"	1.25"	2.375"	1.500"	1.00"	0.875"	2.000"	2.80"	2.25"	2.75"
DB25-	2.50"	1.50"	2.875"	1.500"	1.000"	0.875"	2.000"	2.65"	2.25"	3.25"
DB30-	3.00"	1.50"	3.50"	1.500"	1.000"	1.000"	2.200"	2.20"	2.25"	3.75"
DB35-	3.50"	1.75"	4.00"	2.000"	1.250"	0.875"	2.000"	4.10"	2.25"	4.25"
DB40-	4.00"	2.00"	4.500"	2.250"	1.500"	1.000"	2.250"	3.60"	2.50"	4.75"
DB50-	5.00"	2.50"	5.500"	2.500"	1.750"	1.000"	2.500"	4.50"	3.25"	5.75"